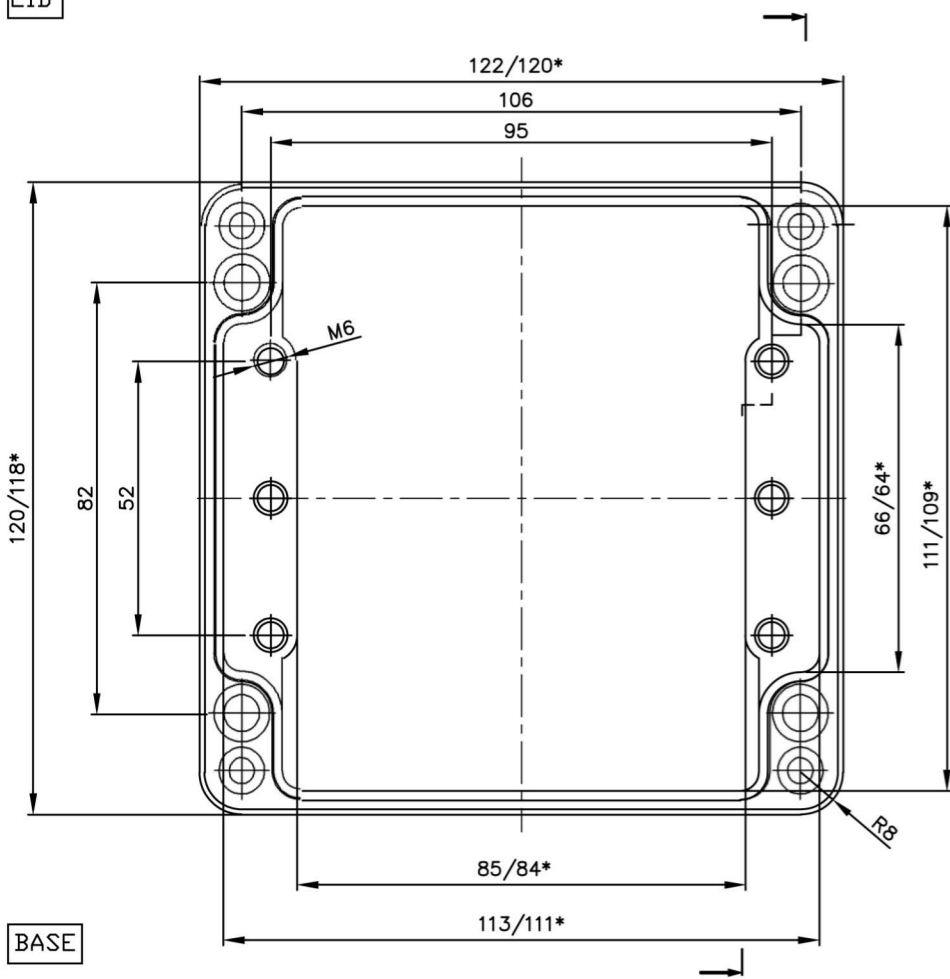
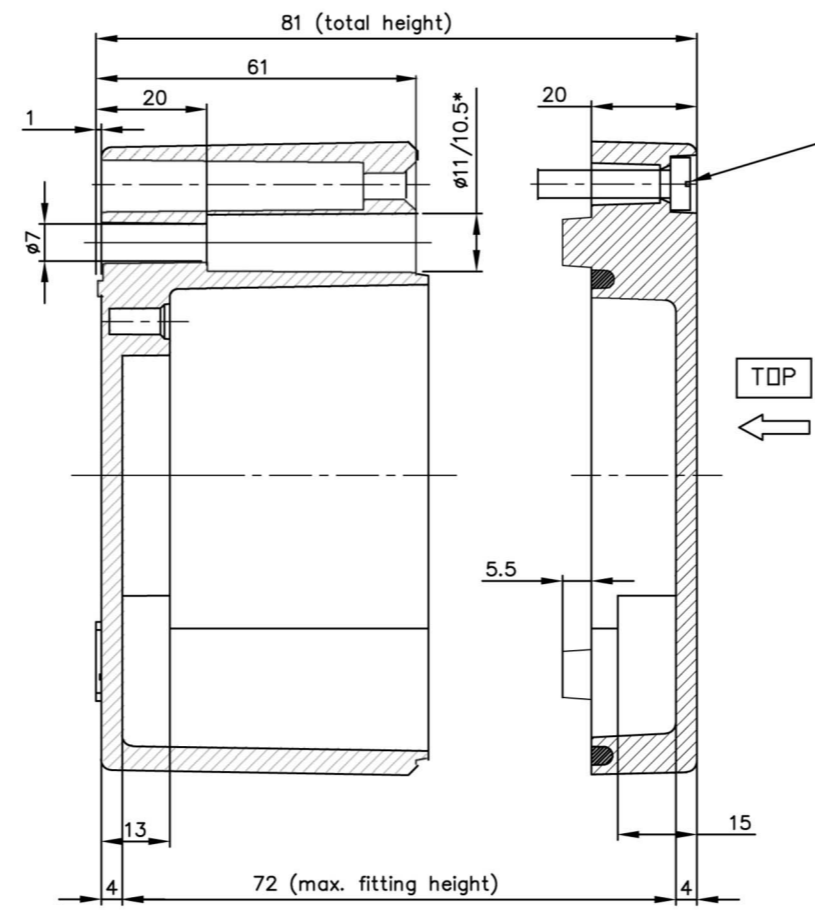
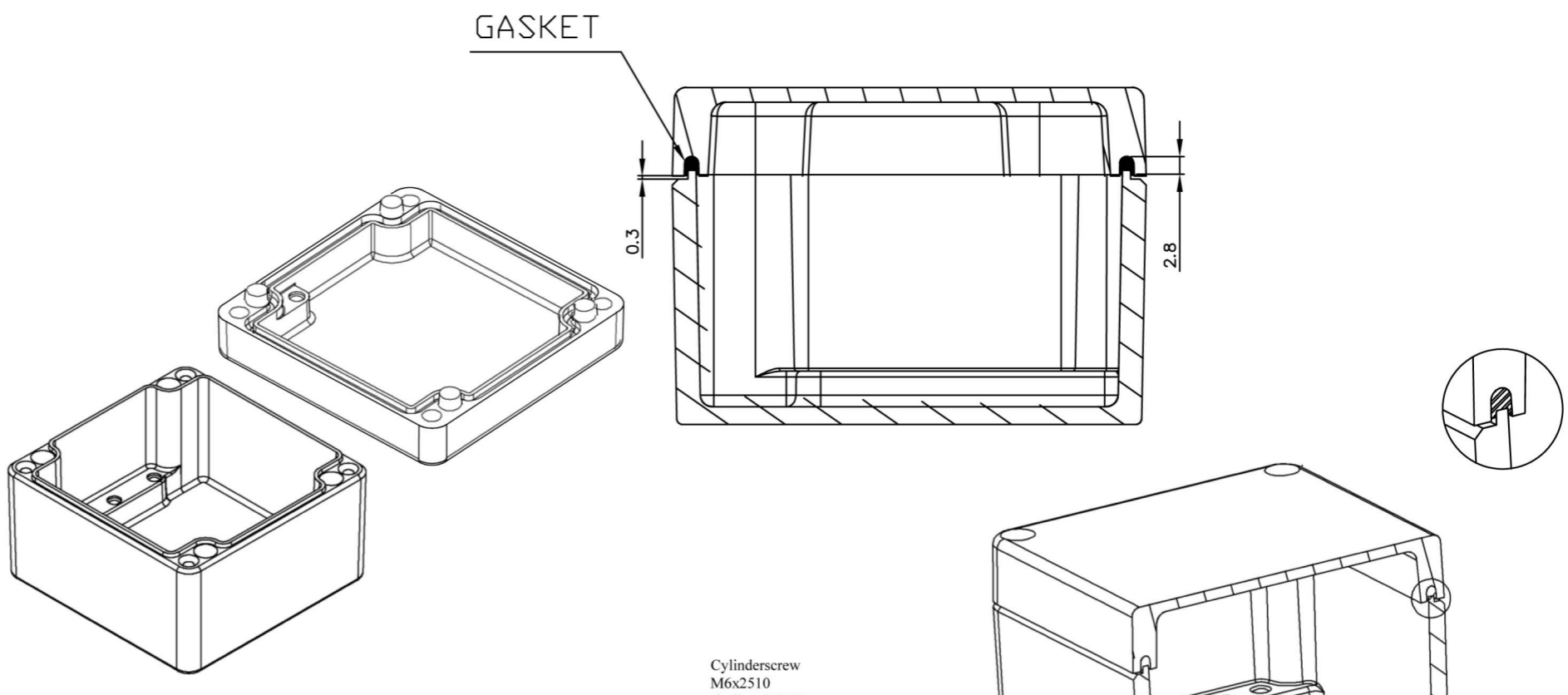


LID



BASE



*=Conical form tapering downwards
Free dimensions-tolerance to GTA135DIN1688

Item Number	RAL / Colour
128-000-471	RAL3001 / red
128-000-470	RAL7001 / grey
128-000-469	RAL7005 / black
128-000-468	uncoated

ENCLOSURE BOX MEETS THE REQUIREMENTS OF
ISIEC60529:2001
OR
EN60529
FOR IP68 SEVERITY

efabox

TOLERANCE GTA 13/5 DIN 1688	COMPONENT ENCLOSURE/BOX	DRAWN BY J. Janser	DATE 21.03.2017
SCALE 1:1	ROUGHNESS	CHECKED BY W. Jagdmann	DATE 21.03.2017
	MATERIAL ALUMINIUM	DRG.N. 12012281	
		SH.N. 01	N.FSHEETS 01