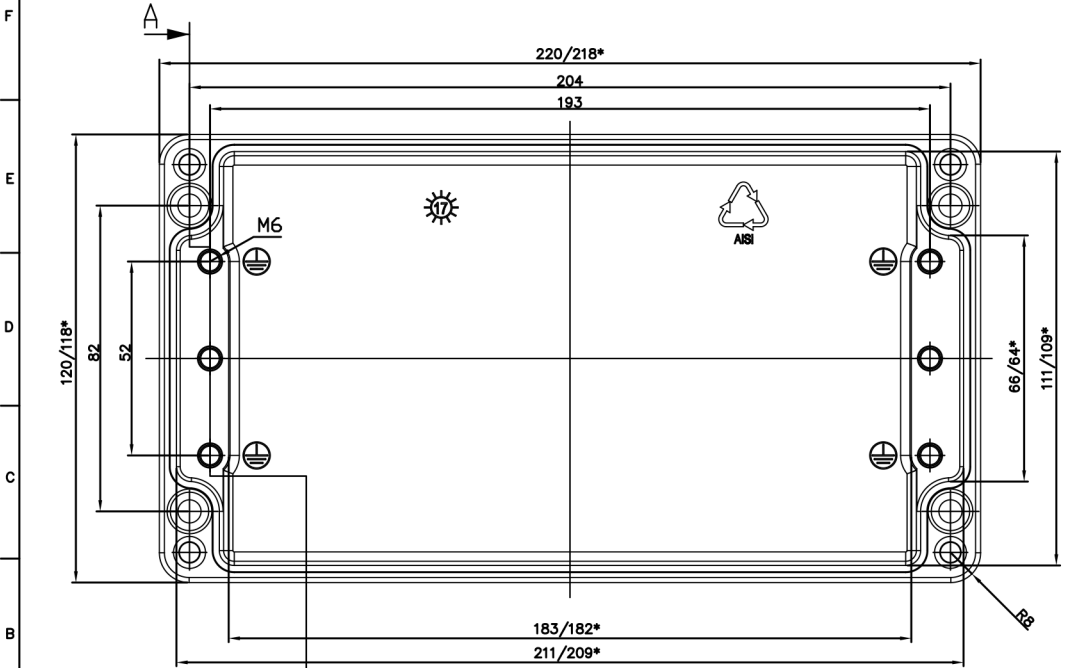
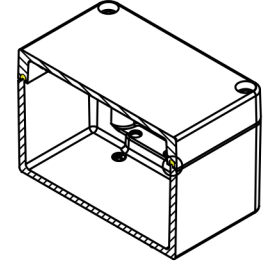
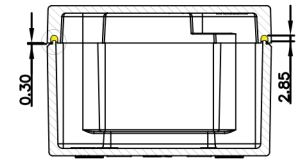
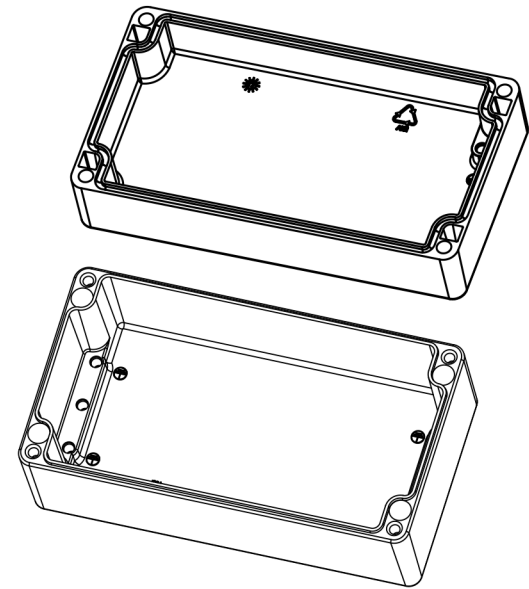
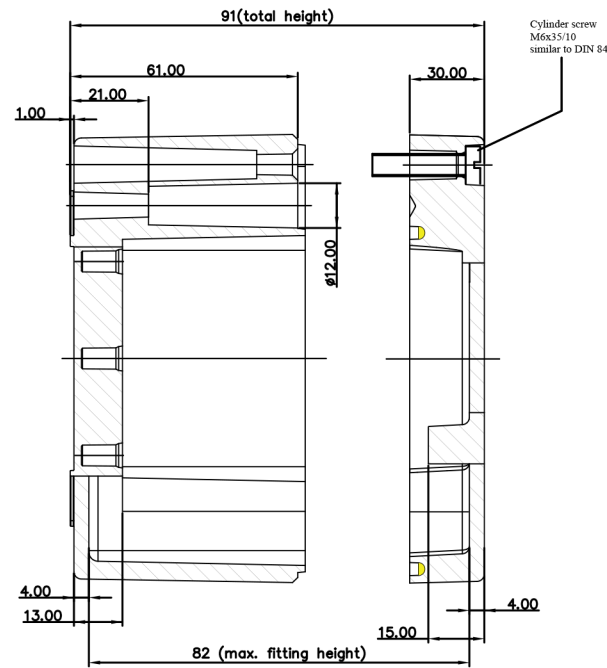


LID



BASE



Cylinder screw
M6x35/10
similar to DIN 913

* = Conical form tapering downwards
Free dimensions-tolerance to GTA 13/5 DIN 1688

Item Number	RAL / Colour
128-000-665	RAL3001 / red
128-000-663	RAL7001 / grey
128-000-664	RAL7005 / black
128-000-662	uncoated

ENCLOSURE/BOX MEETS THE REQUIREMENTS OF
IS/IEC 60529:2001
OR
EN 60529
FOR IP 66 AND 68 SEVERITY

efabox		DRAWN BY		DATE	
TOLERANCE	TOOL	LID	22012091	efa GmbH	31.03.2020
DIN 1688				CHECKED BY	DATE
GTA 13/5				efa GmbH	31.03.2020
SCALE	ROUGHNESS			DRG.ND.	22012091
1:1					
MATERIAL	ALUMINIUM			SH.NL.	NDP SHEETS
				01	01