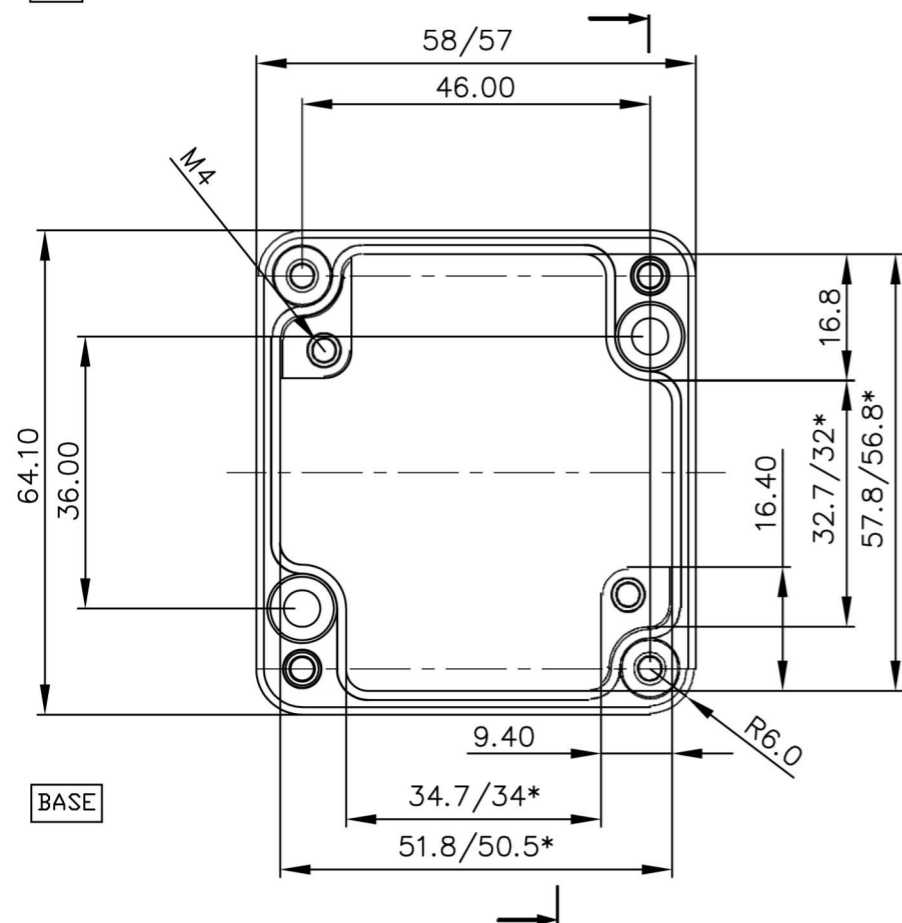
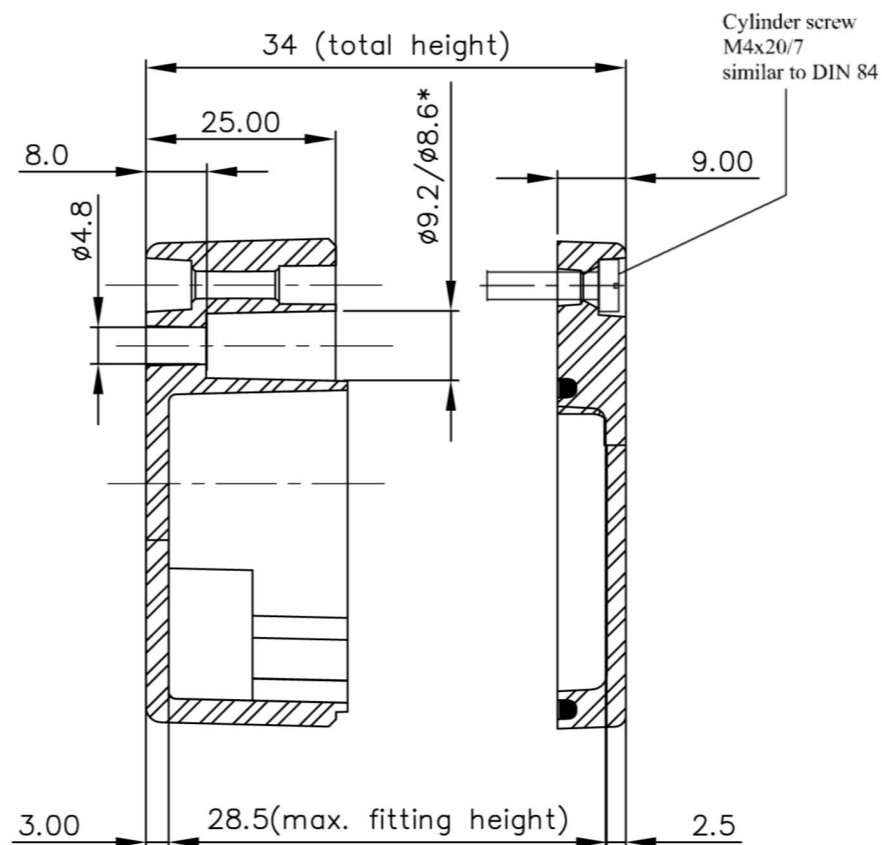
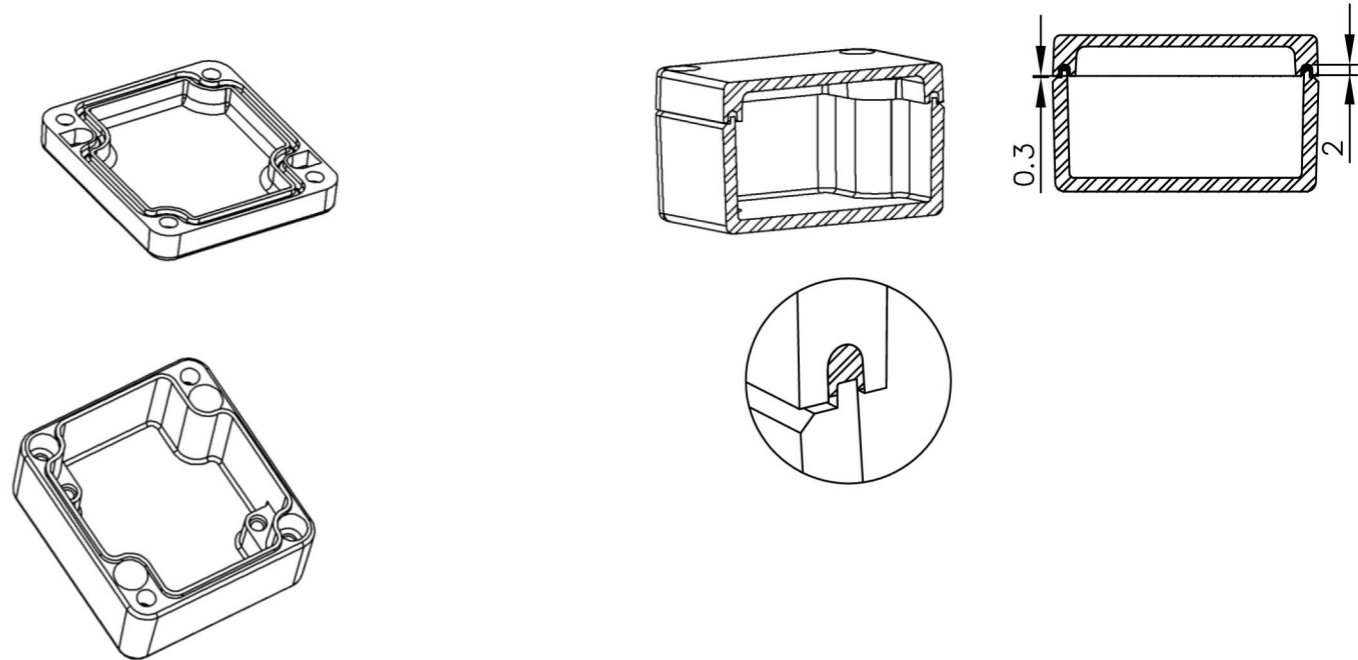


LID



BASE



* = Conical form tapering downwards
Free dimensions tolerance to GTA 13/5 DIN 1688

Item Number	RAL / Colour
128-000-361	RAL3001 / red
128-000-353	RAL7001 / grey
128-000-357	RAL7005 / black
128-000-365	uncoated

ENCLOSURE/BOX MEETS THE REQUIREMENTS OF
IS/IEC 60529:2001
OR
EN 60529
FOR IP 68 SEVERITY

efabox

TOLERANCE GTA 13/5 DIN 1688	COMPONENT ENCLOSURE/BOX	DRAWN BY	DATE
		J. Janser	21.03.2017
SCALE 1:1	ROUGHNESS	CHECKED BY	DATE
		W. Jagdmann	21.03.2017
MATERIAL ALUMINIUM	DRG.NO.	645834	
		SH.NO.	NO. OF SHEETS
	01	01	