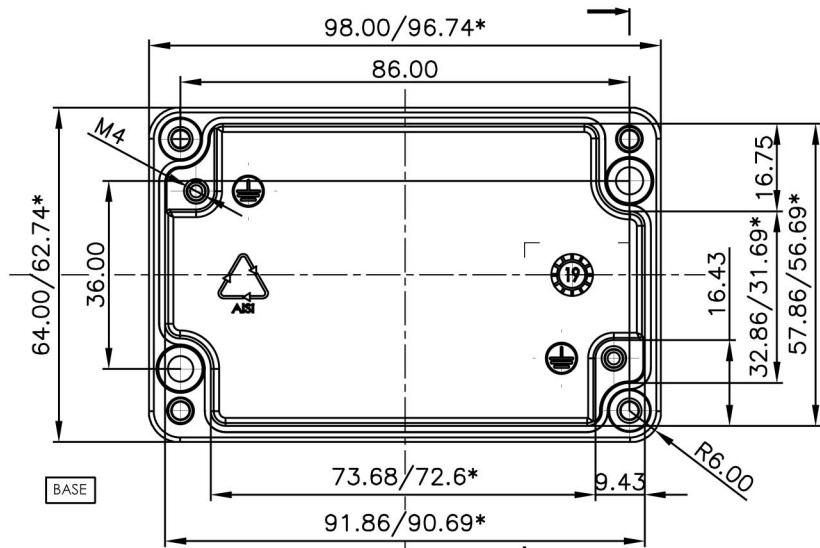
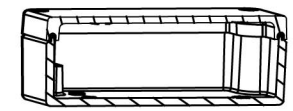
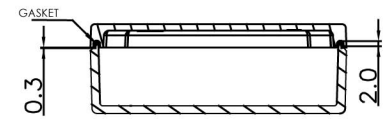
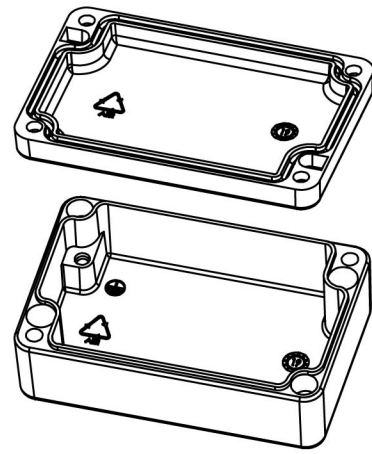
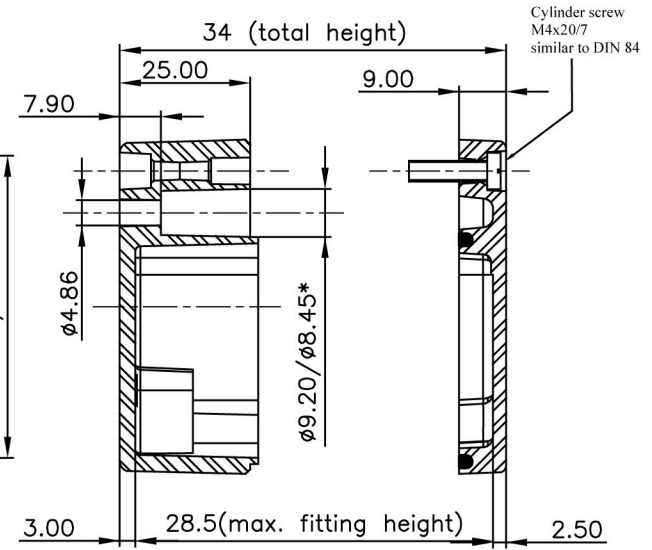


LID



BASE



*=Conical form tapering downwards
Free dimensions-tolerance to GTA 135 DIN 1688

Item Number	RAL / Colour
128-000-523	RAL3001 / red
128-000-524	RAL7001 / grey
128-000-525	RAL7005 / black
128-000-526	uncoated

ENCLOSURE BOX MEETS THE REQUIREMENTS OF
ISIEC 60529:2001
OR
EN 60529
FOR IP68 SEVERITY

COMPANY		efabox	
TOLERANCE GTA 13/5 DIN 1688	COMPONENT	ENCLOSURE/BOX	
		DRAWN BY	DATE
SCALE	ROUGHNESS	J. Janser	13.05.2019
		CHECKED BY	DATE
MATERIAL	ALUMINIUM	W. Jagdmann	13.05.2019
		DRG.NO.	986434
SH.NO.	NO.OF SHEETS	01	01